

Twoja Infrastruktura IT

netf.pl

NETF, specjalizujemy się w sprzedaży zaawansowanej infrastruktury IT. Znajdą tu Państwo szeroki asortyment produktów od czołowych światowych producentów sprzętu i oprogramowania IT, w tym H3C, Huawei, Cisco, Juniper, Fortinet, a także Dell, IBM, CommVault i ESET. Dzięki współpracy z tymi renomowanymi partnerami, NETF zapewnia swoim klientom dostęp do najnowocześniejszych rozwiązań technologicznych.

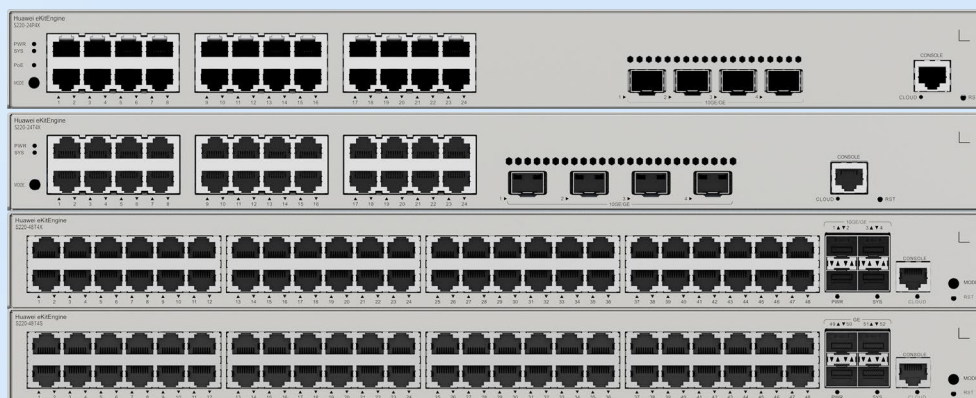
**Bezpieczeństwo,
Efektywność,
Optymalizacja**





HUAWEI eKit

Huawei eKitEngine S220 Series Switches Datasheet



GE/10GE Uplink | Noise-Free and Energy-Saving | Layer 2 Managed Switches

Make SME Network Easier and Smarter



Product Overview

Huawei eKitEngine S220 series switches are Layer 2 GE/10GE switches designed for the small office and home office (SOHO)/small- and medium-sized business (SMB) market. They include eight models, such as those with 8 downlink GE electrical ports (PoE/non-PoE ports), 24 downlink GE electrical ports (PoE/non-PoE ports), 48 downlink GE electrical ports (PoE/non-PoE), and uplink GE/10GE ports. These switches provide many features, such as rich management methods (web-based management, CLI-based management, and app-based management), flexible Ethernet networking, and diversified security control. Therefore, they can be widely used in scenarios such as SOHO, enterprise office, budget hotels, factories, primary and secondary education, shelter hospitals, and building security.

Product Features and Highlights

Flexible Ethernet Networking

- In addition to traditional Spanning Tree Protocol (STP), Rapid Spanning Tree Protocol (RSTP), and Multiple Spanning Tree Protocol (MSTP), eKitEngine S220 series switches support the latest Ethernet Ring Protection Switching (ERPS) standard in the industry. ERPS is defined in ITU-T G.8032. It provides millisecond-level protection switching based on traditional Ethernet MAC and bridging functions.

Diversified Security Control

- eKitEngine S220 series switches support multiple security authentication modes including MAC address authentication and 802.1X authentication, and dynamically deliver user policies (VLAN, QoS, and ACL). eKitEngine S220 series switches support port-based 802.1X authentication, MAC address authentication, and multi-mode authentication.
- eKitEngine S220 series switches provide a series of mechanisms to defend against DoS attacks and user-targeted attacks. DoS attacks are targeted at switches and include SYN flood, Land, Smurf, and ICMP flood attacks. User-targeted attacks include bogus DHCP server attacks, IP/MAC spoofing attacks, DHCP request flood attacks, and attacks with variable DHCP CHADDR values in packets.
- eKitEngine S220 series switches can generate and maintain DHCP snooping binding entries and discard invalid packets that do not match the binding entries. DHCP snooping trusted and untrusted ports can be specified to ensure that users connect only to the authorized DHCP server.

Easy Operations and Maintenance

- eKitEngine S220 series switches can be managed and maintained using SNMPv1, SNMPv2c, SNMPv3, CLI, web system, or SSHv2.0.

PoE Power Supply

PoE models of eKitEngine S220 series switches provide the following capabilities:

- Fast PoE: PoE switches can supply power to PDs within seconds upon power-on, which is different from common switches that supply power to PDs in 1 to 3 minutes after power modules are installed. When a PoE switch restarts due to a power failure, it continues to supply power to PDs immediately after being powered on without waiting until it completes the restart. This greatly shortens the power-off time of PDs.
- Perpetual PoE: When a PoE switch restarts (for example, during software upgrade), it continues to supply power to downstream PDs, ensuring uninterrupted PoE power supply.

Smart Upgrade

- Based on Huawei Online Upgrade Platform (HOUP), eKitEngine S220 series switches support smart upgrade. They obtain the version upgrade path from the HOUP and download the new system software. The upgrade process is highly automated as it supports one-click upgrade. In addition, this feature supports system software pre-loading, which greatly shortens the upgrade time and reduces the service interruption time.

- Smart upgrade greatly simplifies device upgrade operations, making it possible for customers to upgrade versions by themselves. This feature helps customers reduce considerable maintenance costs. In addition, the upgrade policy of the HOUP is used to standardize the upgrade path, which greatly reduces the risk of upgrade failure.

Cloud Management

- Huawei eKit App allows users to configure, monitor, and inspect switches on the cloud, reducing onsite deployment and O&M manpower costs and decreasing network OPEX.
- eKitEngine S220 series switches support both cloud management and on-premise management modes. These two management modes can be flexibly switched as required to achieve smooth evolution while maximizing return on investment (ROI).

Product Specifications

Item	eKitEngine S220-8T4S	eKitEngine S220-8P4S	eKitEngine S220-24T4X	eKitEngine S220-24P4X
Switching capacity	24 Gbps	24 Gbps	128 Gbps	128 Gbps
Packet forwarding	18 Mpps	18 Mpps	95 Mpps	95 Mpps
Fixed port	8*10/100/1000BASE-T ports, 4*GE SFP ports	8*10/100/1000BASE-T ports(125W PoE+),4*GE SFP ports	24 x 10/100/1000BASE-T ports, 4 x 10GE SFP+ ports	24 x 10/100/1000BASE-T ports(400W PoE+), 4*10GE SFP+ ports
Chassis dimensions (H x W x D)	43.6 mm x 250 mm x 180 mm	43.6 mm x 320 mm x 210 mm	43.6 mm x 442 mm x 220 mm	43.6 mm x 442 mm x 220 mm
Chassis height	1 U	1 U	1 U	1 U
Weight in full configuration (including packaging materials)	2.22 kg	3.05 kg	3.44 kg	3.79 kg
Power module type	Built-in AC power module	Built-in AC power module	Built-in AC power module	Built-in AC power module
Rated voltage	100 V AC to 240 V AC, 50/60 Hz	100 V AC to 240 V AC, 50/60 Hz	100 V AC to 240 V AC, 50/60 Hz	100 V AC to 240 V AC, 50/60 Hz
Maximum voltage	<ul style="list-style-type: none"> AC input: 90 V AC to 264 V AC, 45 Hz to 65 Hz 	<ul style="list-style-type: none"> AC input: 90 V AC to 300 V AC, 47 Hz to 63 Hz 	<ul style="list-style-type: none"> AC input: 90 V AC to 290 V AC, 45 Hz to 65 Hz 	<ul style="list-style-type: none"> AC input: 90 V AC to 290 V AC, 45 Hz to 65 Hz
Maximum power consumption	21.52 W	<ul style="list-style-type: none"> Without PoE: 25.09 W Full PoE load: 166.65 W (PoE: 125 W) 	35.04 W	<ul style="list-style-type: none"> Without PoE: 44.35 W With PoE: 485.91 W (PoE: 400 W)

Item	eKitEngine S220-8T4S	eKitEngine S220-8P4S	eKitEngine S220-24T4X	eKitEngine S220-24P4X
Noise	<ul style="list-style-type: none"> Sound power at normal temperature: 44.5 dB (A) Sound pressure at normal temperature: 32.5 dB (A) 	<ul style="list-style-type: none"> Sound power at normal temperature: 47 dB (A) Sound pressure at normal temperature: 35 dB (A) 	<ul style="list-style-type: none"> Sound power at normal temperature: 47 dB (A) Sound power at high temperature: 51 dB (A) Sound pressure at normal temperature: 35 dB (A) 	<ul style="list-style-type: none"> Sound power at normal temperature: 49.3 dB (A) Sound power at high temperature: 63 dB (A) Sound pressure at normal temperature: 37.3 dB (A)
Long-term operating temperature	-5 °C to +50 °C	-5 °C to +50 °C	-5 °C to +50 °C	-5 °C to +50 °C
Storage temperature	-40 °C to +70 °C	-40 °C to +70 °C	-40 °C to +70 °C	-40 °C to +70 °C
Relative humidity	5% to 95% (non-condensing)	5% to 95% (non-condensing)	5% to 95% (non-condensing)	5% to 95% (non-condensing)
Service port surge protection	Common mode: ± 7 kV	Common mode: ± 7 kV	Common mode: ± 7 kV	Common mode: ± 7 kV
Power port surge protection	<ul style="list-style-type: none"> Differential mode: ± 6 kV Common mode: ± 6 kV 	<ul style="list-style-type: none"> Differential mode: ± 6 kV Common mode: ± 6 kV 	<ul style="list-style-type: none"> Differential mode: ± 6 kV Common mode: ± 6 kV 	<ul style="list-style-type: none"> Differential mode: ± 6 kV Common mode: ± 6 kV
Heat dissipation mode	Air cooling, intelligent fan speed adjustment	Air cooling, intelligent fan speed adjustment	Air cooling, intelligent fan speed adjustment	Air cooling, intelligent fan speed adjustment

Item	eKitEngine S220-48T4X	eKitEngine S220-48P4X	eKitEngine S220-48P4S	eKitEngine S220-48T4S
Switching capacity	176 Gbps	176 Gbps	104 Gbps	104 Gbps
Packet forwarding	131 Mpps	131 Mpps	77 Mpps	77 Mpps
Fixed port	48 x 10/100/1000BASE-T ports, 4 x 10GE SFP+ ports	48 x 10/100/1000BASE-T ports(380W PoE+), 4 x 10GE SFP+ ports	48 x 10/100/1000BASE-T ports(380W PoE+), 4 x GE SFP ports	48 x 10/100/1000BASE-T ports, 4 x GE SFP+ ports
Chassis dimensions (H x W x D)	43.6 mm x 442 mm x 220 mm	43.6 mm x 442 mm x 220 mm	43.6 mm x 442 mm x 220 mm	43.6 mm x 442 mm x 220 mm
Chassis height	1 U	1 U	1 U	1 U
Weight in full configuration (including packaging materials)	3.59 kg	4.29 kg	4.29 kg	3.59 kg

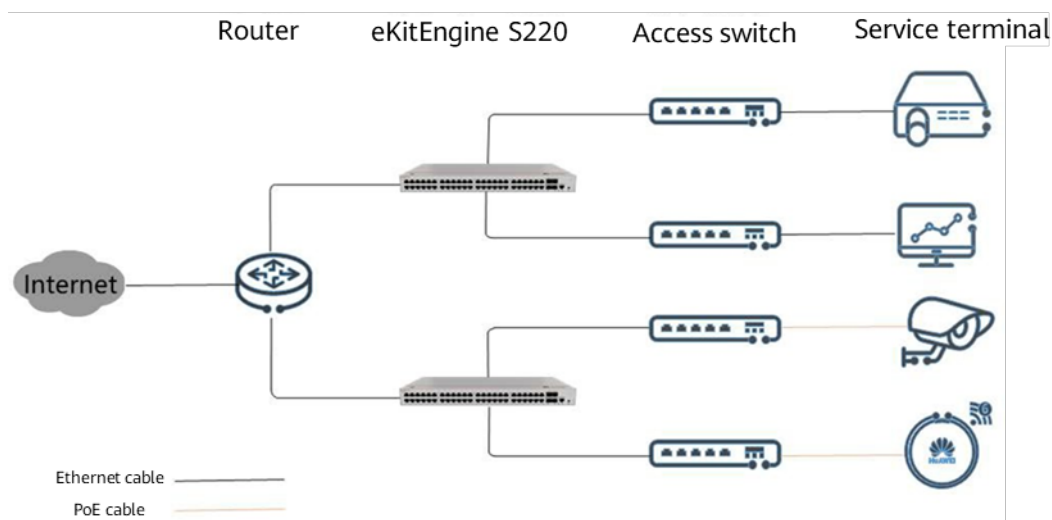
Item	eKitEngine S220-48T4X	eKitEngine S220-48P4X	eKitEngine S220-48P4S	eKitEngine S220-48T4S
Power module type	Built-in AC power module	Built-in AC power module	Built-in AC power module	Built-in AC power module
Rated voltage	100 V AC to 240 V AC, 50/60 Hz	100 V AC to 240 V AC, 50/60 Hz	100 V AC to 240 V AC, 50/60 Hz	100 V AC to 240 V AC, 50/60 Hz
Maximum voltage	<ul style="list-style-type: none"> AC input: 90 V AC to 290 V AC, 45 Hz to 65 Hz 	<ul style="list-style-type: none"> AC input: 90 V AC to 290 V AC, 45 Hz to 65 Hz 	<ul style="list-style-type: none"> AC input: 90 V AC to 290 V AC, 45 Hz to 65 Hz 	<ul style="list-style-type: none"> AC input: 90 V AC to 290 V AC, 45 Hz to 65 Hz
Maximum power consumption	44.3 W	<ul style="list-style-type: none"> Without PoE: 64.7 W With PoE: 462.8 W (PoE: 380 W) 	<ul style="list-style-type: none"> Without PoE: 63.7 W With PoE: 462.8 W (PoE: 380 W) 	43.3 W
Noise	<ul style="list-style-type: none"> Sound power at normal temperature: 46.6 dB (A) Sound power at high temperature: 54.3 dB (A) Sound pressure at normal temperature: 34.6 dB (A) 	<ul style="list-style-type: none"> Sound power at normal temperature: 49.3 dB (A) Sound power at high temperature: 63 dB (A) Sound pressure at normal temperature: 37.3 dB (A) 	<ul style="list-style-type: none"> Sound power at normal temperature: 49.3 dB (A) Sound power at high temperature: 63 dB (A) Sound pressure at normal temperature: 37.3 dB (A) 	<ul style="list-style-type: none"> Sound power at normal temperature: 46.6 dB (A) Sound power at high temperature: 54.3 dB (A) Sound pressure at normal temperature: 34.6 dB (A)
Long-term operating temperature	-5 °C to +50 °C	-5 °C to +50 °C	-5 °C to +50 °C	-5 °C to +50 °C
Storage temperature	-40 °C to +70 °C	-40 °C to +70 °C	-40 °C to +70 °C	-40 °C to +70 °C
Relative humidity	5% to 95% (non-condensing)	5% to 95% (non-condensing)	5% to 95% (non-condensing)	5% to 95% (non-condensing)
Service port surge protection	Common mode: ± 7 kV	Common mode: ± 7 kV	Common mode: ± 7 kV	Common mode: ± 7 kV
Power port surge protection	<ul style="list-style-type: none"> Differential mode: ± 6 kV Common mode: ± 6 kV 	<ul style="list-style-type: none"> Differential mode: ± 6 kV Common mode: ± 6 kV 	<ul style="list-style-type: none"> Differential mode: ± 6 kV Common mode: ± 6 kV 	<ul style="list-style-type: none"> Differential mode: ± 6 kV Common mode: ± 6 kV
Heat dissipation mode	Air cooling, intelligent fan speed adjustment	Air cooling, intelligent fan speed adjustment	Air cooling, intelligent fan speed adjustment	Air cooling, intelligent fan speed adjustment

Service Features

Feature	Description
MAC address table	Automatic MAC address learning and aging
	16K MAC address entries at maximum
	Static, dynamic, and blackhole MAC address entries
	Source MAC address filtering
	Limitation on the number of MAC addresses learned by an interface
VLAN features	4094 VLANs
	Voice VLAN
	VLAN assignment based on MAC addresses, protocols, IP subnets, policies, and ports
	VLAN stacking
Ethernet switching	G.8032 Ethernet Ring Protection Switching (ERPS)
	STP (IEEE 802.1D), RSTP (IEEE 802.1w), and MSTP (IEEE 802.1s)
	BPDU protection, root protection, and loop protection
	BPDU tunnel
Multicast	IGMPv1/v2/v3 and IGMPv1/v2/v3 snooping
Reliability	Link Aggregation Control Protocol (LACP)
	Link Layer Discovery Protocol (LLDP)
QoS/ACL	Traffic rate limiting in the inbound and outbound directions of a port
	IPv4/IPv6 access control list (ACL)
	Packet redirection
	Port-based traffic policing and two-rate three-color CAR
	Eight queues on each port
	DRR, SP, and DRR+SP queue scheduling algorithms
	Re-marking of 802.1p and DSCP priorities for packets
	Packet filtering on Layer 2 to Layer 4, filtering out invalid frames based on the source MAC address, destination MAC address, source IP address, destination IP address, TCP/UDP source/destination port number, protocol, or VLAN
	Queue-based rate limiting and traffic shaping on ports
Security features	Hierarchical user management and password protection
	Defense against DoS, ARP, and ICMP attacks
	Binding of the IP address, MAC address, port ID, and VLAN ID
	Port isolation, port security, and sticky MAC
	Blackhole MAC address entries

Feature	Description
	Limitation on the number of learned MAC addresses
	IEEE 802.1X authentication and limit on the number of users on an interface
	Multiple authentication modes including AAA, RADIUS, HWTACACS and NAC authentication
	SSH v2.0
	HTTPS
	CPU protection
	Blacklist and whitelist
	DHCP client and DHCP snooping
Management and maintenance	Cloud management based on NETCONF/YANG
	Virtual cable test (VCT)
	Remote configuration and maintenance by using Telnet
	SNMPv1/v2/v3
	Web system-based management
	HTTPS
	LLDP/LLDP-MED
	System logs and alarms based on severities
	IEEE 802.3az: Energy Efficient Ethernet (EEE)
	Port mirroring
	Deployment through the registration query center
	eSight management

Typical Networking



More Information

For more information about Huawei switches, visit <https://e.huawei.com/> or contact Huawei's local sales office.


Alternatively, you can contact us through one of the following methods:

- Global service hotline: <https://e.huawei.com/en/service-hotline>
- Enterprise technical support website: <https://support.huawei.com/enterprise/>
- Service email address for enterprise users: support_e@huawei.com

Copyright Huawei Technologies Co., Ltd. 2023. All rights reserved.

No part of this document may be reproduced or transferred in any form or by any means without prior written consent of Huawei Technologies Co., Ltd.

Trademarks and Permissions

 HUAWEI and other Huawei trademarks are trademarks of Huawei Technologies Co., Ltd.

All other trademarks or registered trademarks mentioned in this document are the property of their respective holders.

Notice

The purchased products, services, and features are stipulated by the commercial contract made between Huawei and the customer. All or partial products, services, and features described in this document may not be within the purchased scope or the usage scope. Unless otherwise specified in the contract, all statements, information, and recommendations in this document are provided "AS IS" without warranties, guarantees or representations of any kind, either express or implied.

The information in this document is subject to change without notice. Every effort has been made in the preparation of this document to ensure accuracy of the contents, but all statements, information, and recommendations in this document do not constitute a warranty of any kind, express or implied.

Huawei Technologies Co., Ltd.

Address: Huawei Industrial Base,
Bantian, Longgang, Shenzhen,
People's Republic of China

Postal code: 518129

Website: <https://e.huawei.com/en/>