

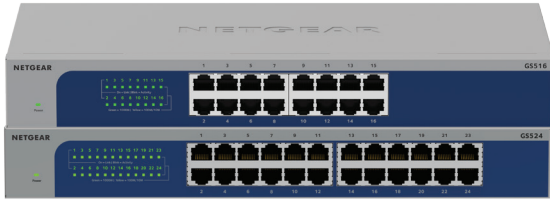
Twoja Infrastruktura IT

netf.pl

NETF, specjalizujemy się w sprzedaży zaawansowanej infrastruktury IT. Znajdą tu Państwo szeroki asortyment produktów od czołowych światowych producentów sprzętu i oprogramowania IT, w tym H3C, Huawei, Cisco, Juniper, Fortinet, a także Dell, IBM, CommVault i ESET. Dzięki współpracy z tymi renomowanymi partnerami, NETF zapewnia swoim klientom dostęp do najnowocześniejszych rozwiązań technologicznych.

**Bezpieczeństwo,
Efektywność,
Optymalizacja**

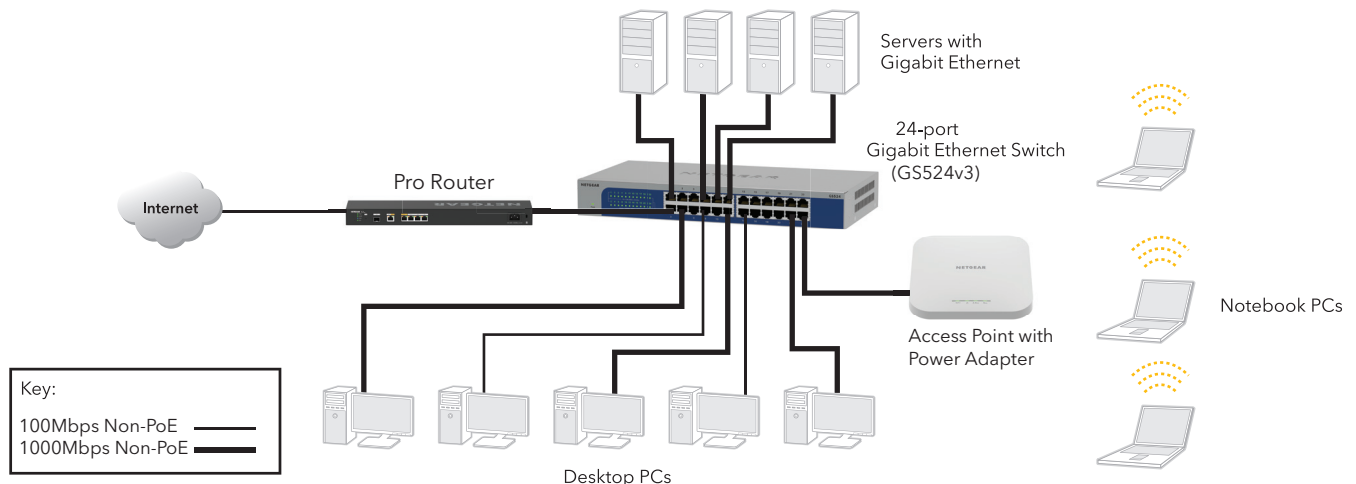




Take Gigabit to the Desktop

Features and Highlights

- 16 or 24 ports deliver up to 2000Mbps of dedicated, non-blocking bandwidth per port
- Instant Plug-N-Play connectivity with Auto-negotiation and Auto MDI/MDI-X
- Easily combine new or existing 10-, 100- and 1000Mbps devices within your network
- 802.1p QoS support for prioritizing voice and video in the network
- Jumbo Frame Support up to 9KB
- Fast, auto-switching and auto-sensing 10/100/1000Mbps Ethernet connection
- 16 or 24 switched ports provide bandwidth for PCs, servers or switches
- Auto Uplink™ automatically adjusts for straight-through or crossover cables
- Plug and play—begins working as soon as it is powered on
- Compact size for desktop, wall mount or rack mount in a standard 19-inch rack
- Secure, durable metal housing includes a Kensington locking slot for theft prevention
- Backed by a NETGEAR Limited Lifetime* Warranty
- Honors TOS/802.1p prioritization
- Up to 50% lower power consumption**
- Auto power-down mode saves energy when port is unused
- Auto green mode detects cable length and adjusts power usage to save energy
- Auto green mode detects cable length and adjusts power usage to save energy
- Packaging manufactured with at least 80% recycled materials



Technical Specifications

Network Ports	GS516v3	GS524v3
Multicast Groups	16 10/100/1000Mbps Ethernet RJ-45 ports	24 10/100/1000Mbps Ethernet RJ-45 ports
Performance Specifications		
Switching bandwidth	32Gbps	48Gbps
Forwarding Rate	10 Mbps port: 14,880 frames/sec 100 Mbps port: 148,800 frames/sec 1000 Mbps port: 1,488,000 frames/sec	
Latency (using 64 byte packets)	10Mbps: 35µs (max) 100Mbps: 30µs (max) 1000Mbps: 15µs (max)	
RAM buffer	512.5KB	
MAC address database	8K	
Mean time between failures (MTBF)	1,397,962 hrs	1,016,877 hrs
Power Consumption	10W max	12W max
Power Cord	100-240V; 50-60Hz; plug is localized to country of sale	
Jumbo Frame Support	up to 9KB	
Standards Compliance		
IEEE 802.3i 10BASE-T Ethernet	IEEE 802.3x flow control	
IEEE 802.3u 100BASE-TX Fast Ethernet	IEEE 802.3 CAMA/CD	
IEEE 802.3ab 1000BASE-T Gigabit Ethernet	IEEE 802.3az Energy Efficient Ethernet	
Status LEDs		
Unit	Power	
Per network port	Link/Activity, Speed	
Physical Specifications		
Dimensions (w x d x h)	328 x 169 x 43mm (12.9 x 6.7 x 1.7in)	
Weight	1.49kg (3.3lb)	1.47kg (3.24lb)
Environmental Specifications		
Operating temperature	32° to 122°F (0° to 50°C)	
Operating humidity	90% maximum relative humidity, non-condensing	
Storage temperature	-4° to 158°F (-20° to 70°C)	
Storage humidity	95% maximum relative humidity	

Technical Specifications

Electromagnetic Emissions	
Certifications	CE Class A (EN55032+EN55035) UKCA Class A FCC Part 15 Class A ISED Class A VCCI Class A RCM KC BSMI
Safety Agency Approvals	
Certifications	CB (IEC 62368-1) CSA (UL/CSA 62368-1) CE (EN 62368-1) UKCA RCM BSMI
System Requirements	
	UTP Category 5 cables or better Network software (e.g., Windows [®] , Mac [®] OS, Linux)
Warranty	
	NETGEAR Limited Lifetime* Warranty
ProSupport Service Packs Available	
OnCall 24x7, Category 1	PMB0331-100 (US) PMB0331 (non-US)
Package Contents	
All models	16- or 24-port Gigabit Ethernet Switch (GS516v3 or GS524v3) Power cord Installation guide Wall/Rackmount kit Warranty/support information card

Ordering Information

GS516

GS516-300NAS	North America
GS516-300EUS	Europe
GS516-300AUS	Australia
GS516-300JPS	Japan
GS516-300KOS	South Korea
GS516-300PES	Other Asia
GS516-300PRS	China
GS516-300TWS	Taiwan
GS516-300UKS	Hong Kong, Singapore, Middle East

GS524

GS524-300NAS	North America
GS524-300EUS	Europe
GS524-300UKS	Hong Kong, Singapore, Middle East
GS524-300AUS	Australia
GS524-300JPS	Japan
GS524-300KOS	South Korea
GS524-300TWS	Taiwan

* This product comes with a limited warranty that is valid only if purchased from a NETGEAR authorized reseller, and covers unmodified hardware, fans and internal power supplies - not software or external power supplies, and requires product registration at <https://www.netgear.com/business/registration> within 90 days of purchase; see <https://www.netgear.com/about/warranty> for details. Intended for indoor use only.

** Maximum power savings when compared to previous version of this NETGEAR product.

NETGEAR, the NETGEAR Logo, and NETGEAR Insight are trademarks of NETGEAR, Inc. in the United States and/or other countries. Other brand names mentioned herein are for identification purposes only and may be trademarks of their respective holder(s).

NETGEAR, Inc. 350 E. Plumeria Drive, San Jose, CA 95134-1911 USA, 1-888-NETGEAR (638-4327), E-mail: info@NETGEAR.com, www.NETGEAR.com