

# Twoja Infrastruktura IT

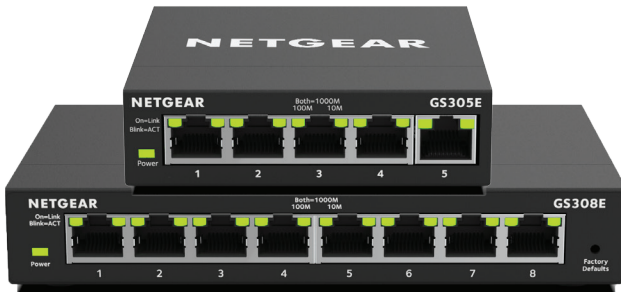
## netf.pl

NETF, specjalizujemy się w sprzedaży zaawansowanej infrastruktury IT. Znajdą tu Państwo szeroki asortyment produktów od czołowych światowych producentów sprzętu i oprogramowania IT, w tym H3C, Huawei, Cisco, Juniper, Fortinet, a także Dell, IBM, CommVault i ESET. Dzięki współpracy z tymi renomowanymi partnerami, NETF zapewnia swoim klientom dostęp do najnowocześniejszych rozwiązań technologicznych.

---

**Bezpieczeństwo,  
Efektywność,  
Optymalizacja**





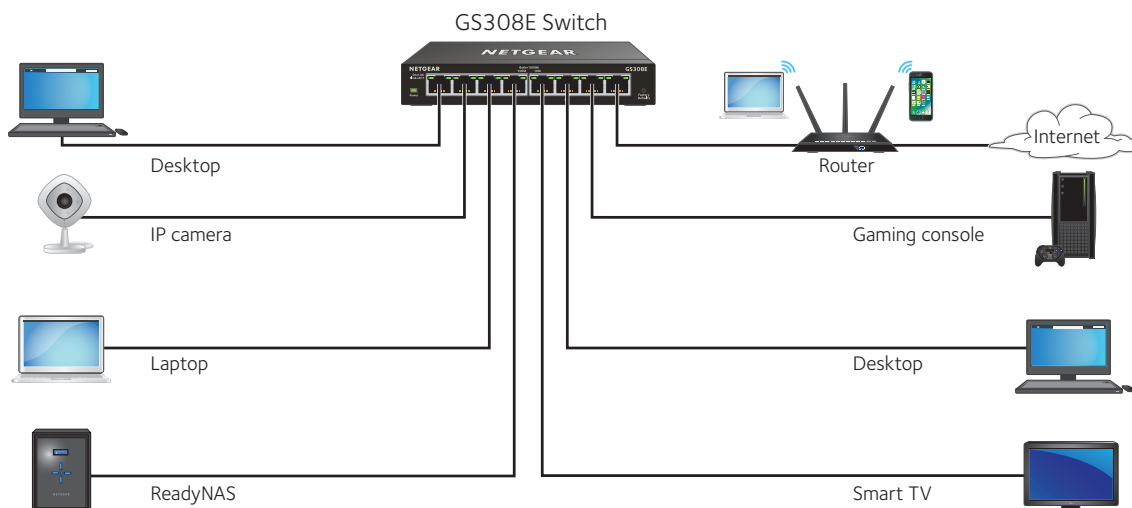
## Expanding Wired Connectivity for SOHO Networks

NETGEAR<sup>®</sup> Plus Switches meet this growing need by providing fundamental network features such as VLANs, QoS, and IGMP Snooping that will help optimize the performance of business networks. Plus Switches are the perfect upgrade from the plug-and-play unmanaged switch, delivering essential networking features at a very affordable price.

### Highlights

- Enable network configuration and management at the price point of Unmanaged Switches
- Simple, yet useful network set-up on top of plug-and-play connectivity
- Flexible management via easy-to-use web browser-based management GUI or using the PC-based Utility application
- VLAN support for traffic segmentation
- Quality of Service (QoS) for traffic prioritization
- Auto "denial-of-service" (DoS) prevention
- Troubleshoot connection issues via cable test
- Loop detection and broadcast storm controls
- Rate limiting for better bandwidth allocation
- Port mirroring for network monitoring
- Jumbo frame support

### Small Office/Home Office Network Diagram



## GS300 Series Comparison

| Features   | GS305E   | GS308E          |
|--|--|-----------------|
| Gigabit ports                                      | 5  | 8               |
| Max MAC entries                                    | 8K   | 4K              |
| Buffer Size  | 128KB  | 192KB           |
| Energy Efficient Ethernet (IEEE 802.3az) compliant | Yes  | Yes             |
| <b>Performance Specification</b>                   |  |                 |
| Forwarding modes                                   | Store-and-forward                                    |                 |
| Bandwidth  | 10Gbps   | 16Gbps          |
| Priority queuing                                   | Weighted Round Robin (WRR), Strict Priority, or both |                 |
| Jumbo frame support                                | Up to 9K packet size                                 |                 |
| Acoustic noise level @ 25° C (dBA) (ANSI-S10.12)   | 0  | 0               |
| Mean Time Between Failures (MTBF) @ 25° C          | 2,531,294 hours                                      | 1,638,156 hours |
| <b>L2 Services - VLANs</b>                         |  |                 |
| VLAN (# Supported)                                 | 64   | 32              |
| IEEE 802.1Q VLAN Tagging                           | Yes  | Yes             |
| Port-based VLANs                                   | Yes  | Yes             |
| <b>L2 Services - Availability</b>                  |  |                 |
| Link Aggregation/Port Trunking                     | No   | No              |
| Number of Static Manual LAGs and # of members      | N/A  | N/A             |
| <b>L2 Services - Multicast Filtering</b>           |  |                 |
| IGMP snooping (v1, v2, and v3)                     | Yes  | Yes             |
| Block unknown multicast                            | Yes  | Yes             |
| Supported Multicast groups                         | 128  | 128             |
| <b>L3 Services - DHCP</b>                          |  |                 |
| DHCP client  | Yes  | Yes             |
| <b>Quality of Service</b>                          |  |                 |
| Rate Limiting                                      | Yes  | Yes             |
| DSCP   | Yes  | No              |
| IEEE 802.1p COS                                    | Yes  | Yes             |
| Port-based VLAN                                    | Yes  | Yes             |
| TOS  | Yes  | No              |
| WRR (Weighted Round Robin)                         | Yes  | Yes             |
| Strict Priority queue technology                   | Yes  | Yes             |

## GS300 Series Comparison

| IEEE Network Protocols   | GS305E   | GS308E                                  |
|--|--|---|
| <ul style="list-style-type: none"> <li>• IEEE 802.3 Ethernet</li> <li>• IEEE 802.3ab 100BASE-T</li> <li>• IEEE 802.3u 100BASE-T</li> <li>• IEEE 802.3ab 100BASE-T</li> </ul> | <ul style="list-style-type: none"> <li>• IEEE 802.1p Class of Service</li> <li>• IEEE 802.1Q VLAN Tagging</li> <li>• IEEE 802.3x Full-duplex Flow Control</li> </ul> |   |
| <b>Management</b>  |  |   |
| System Password  | Yes  | Yes                                     |
| Web browserbased management GUI  | Yes  | Yes                                     |
| PC Utility   | Yes  | Yes                                     |
| Port Mirroring   | Yes  | Yes                                     |
| Max number of source ports allowed (many-to-one port mirroring)  | 4  | 7                                       |
| Many-to-one Port Mirroring   | Yes  | Yes                                     |
| Cable Test Utility   | Yes  | Yes                                     |
| FW Upgrade Thru Plus Utility (TFTP)  | Yes  | Yes                                     |
| Config download (to Switch) thru Plus Utility  | Yes  | Yes                                     |
| Config upload (to server)  | Yes  | Yes                                     |
| <b>LEDs</b>  |  |   |
| Per port   | Speed, Link, Activity  |   |
| Per device   | Power, system  |   |
| <b>Physical Specifications</b>   |  |   |
| Dimensions (W x D x H)   | 94 x 100 x 27 mm<br>(3.7 x 3.9 x 1.1 in)   | 158 x 101 x 29 mm<br>(6.2 x 4 x 1.1 in) |
| Weight   | 0.25kg   | 0.5kg                                   |
| <b>Environmental Specifications</b>  |  |   |
| Operating  |  |   |
| Operating temperature  | 32° to 122°F (0° to 50°C)  | 0° to 40°C                              |
| Humidity (relative)  | 90% maximum relative humidity (RH), non-condensing   |   |
| Altitude   | 10,000 ft (3,000 m) maximum  |   |
| Storage  |  |   |
| Storage temperature  | - 4° to 158°F (-20° to 70°C)   |   |
| Humidity (relative)  | 95% maximum relative humidity (RH), non-condensing   |   |
| Altitude   | 10,000 ft (3,000 m) maximum  |   |
| <b>Electromagnetic Emissions and Immunity</b>  |  |   |
| Certifications   | CE mark, commercial<br>FCC Part 15 class B<br>CE/EN55032/24<br>VCCI<br>ACMA  |   |

## GS300 Series Comparison

| Warranty and Support                 | GS305E   | GS308E          |
|--------------------------------------|--|-----------------|
| All Except China                     |  | 5-year warranty |
| China                                |  | 1-year warranty |
| Technical Support (online, phone)    | 90 days free from date of purchase*                                |                 |
| ProSUPPORT OnCall 24x7 Service Plans | Category S1:<br>PMBOS11-10000S<br>PMBOS31-10000S<br>PMBOS51-10000S |                 |

\*This product comes with a limited warranty that is valid only if purchased from a NETGEAR authorized reseller, and covers unmodified hardware, fans and internal power supplies –not software or external power supplies, and requires product registration at <https://www.netgear.com/business/registration> within 90 days of purchase; see <https://www.netgear.com/about/warranty> for details. Intended for indoor use only.

† NETGEAR #1 in US Market Share according to NPD data for Unmanaged and Plus Switches, September 2019. NETGEAR #1 in Europe Market Share according to Context data for Unmanaged and Plus Switches, September 2019.

NETGEAR and the NETGEAR Logo are trademarks of NETGEAR, Inc. in the United States and/or other countries. Other brand names mentioned herein are for identification purposes only and may be trademarks of their respective holder(s). Information is subject to change without notice. ©NETGEAR, Inc. All Rights reserved.